

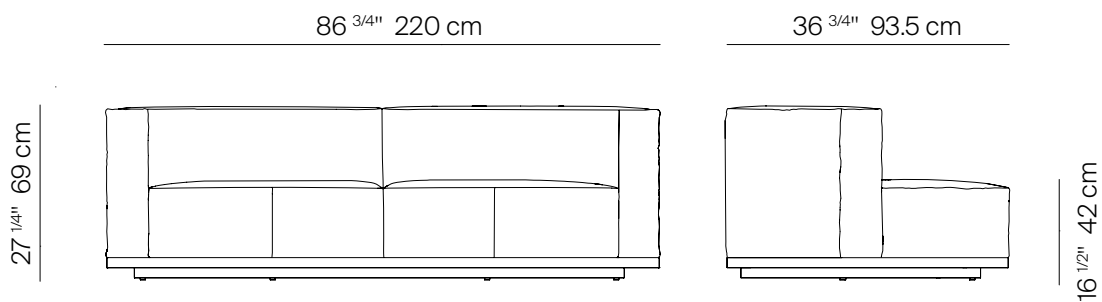
# MERCER

by Danao Studio



SECTIONAL CURVED CORNER

064.2402



## SPECIFICATIONS

Width:	83 3/4"	220 cm
Depth:	36 3/4"	93.5 cm
Height:	27 1/4"	69 cm
Seat height:	16 1/2"	42 cm

COM 8 1/4 yds

\*COM based on 54" wide no repeat fabric.

## MATERIALS

Frame: Powder coated aluminum.

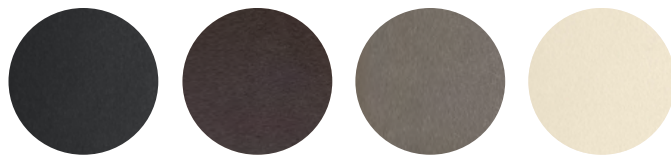
Cushion foam: Made of HR (high resiliency) foam with Dacron wrap incased in a nonwoven UV stabilized waterproof sonic welded fabric.

Cushion fabric: COM/Outdoor Canvas Grade A / Grade B Fabric options.

Furniture cover available.

TRHOW PILLOWS SOLD SEPARATELY

## FINISHES



SPACE GREY  
-52

JAVA  
-51

MUSCADE  
-51

SHELL  
-45

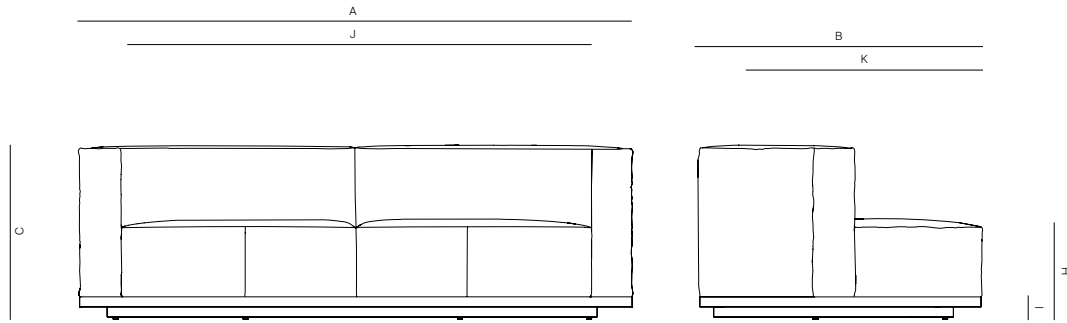
ALUMINUM

# DANAo

danaoliving.com

SECTIONAL CURVED CORNER

064.2402



MEASURES INCH CM	OVERALL WIDTH	OVERALL DEPTH	OVERALL HEIGHT WITH CUSHIONS	OVERALL FRAME HEIGHT	ARM HEIGHT	ARM WIDTH	FOOT HEIGHT	SEAT HEIGHT WITH CUSHIONS	FRAME SEAT HEIGHT (FLOOR TO FRAME)	INSIDE SEAT WIDTH	INSIDE SEAT DEPTH
DESCRIPTION	A	B	C	D	E	F	G	H	I	J	K
SECTIONAL CURVED CORNER	86 3/4	36 3/4	27 1/4	-	-	-	-	16 1/2	3 1/2	80	33 1/2
SKU# 064.2402	220	93.5	69	-	-	-	-	42	8.8	203	85

MEASURES INCH CM	# OF BACK CUSHIONS	# OF SEAT CUSHIONS	COM YARDS METERS	DIAGONAL CLEARANCE	FURNITURE WEIGHT LBS KGS	TOTAL PIECES IN A BOX	BOXED WEIGHT LBS KGS	CUBE
DESCRIPTION								
SECTIONAL CURVED CORNER	1	1	8 1/4	45	76	1	121	38
SKU# 064.2402	1	1		114	34	1	55	

TRHOW PILLOWS SOLD SEPARATELY