

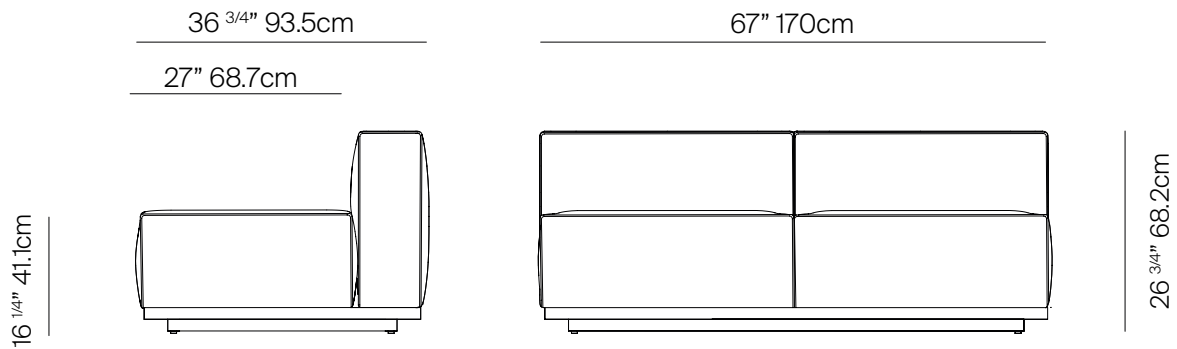
MERCER

by Danao Studio



ARMLESS 2 SEATER SOFA

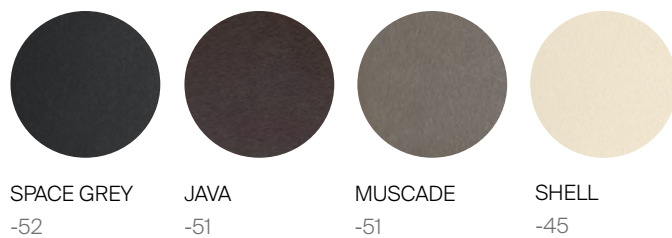
064.2512



SPECIFICATIONS

Width:	67"	170 cm
Depth:	36 3/4"	93.5 cm
Height:	26 3/4"	68.2 cm
Seat height:	16 1/4"	41.1 cm
COM:	11 yds	

FINISHES



ALUMINUM

MATERIALS

Frame: Powder coated aluminum.

Cushion foam: Made of HR (high resiliency) foam with Dacron wrap incased in a nonwoven UV stabilized waterproof sonic welded fabric.

Cushion fabric: COM/Outdoor Grade A / Grade B

Fabric options.

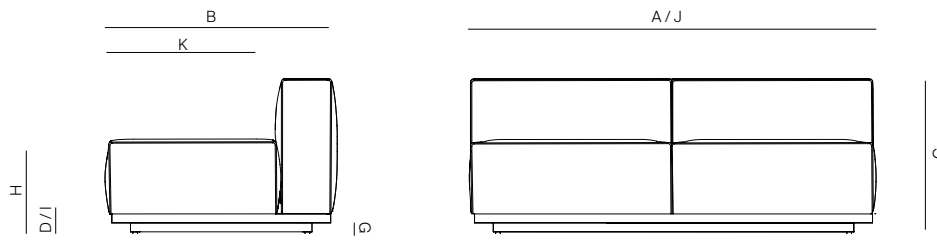
Throw pillows available: Outdoor polyfill

Furniture cover available.

THROW PILLOWS SOLD SEPARATELY

DANA O

danaoliving.com



MEASURES INCH CM	OVERALL WIDTH	OVERALL DEPTH	OVERALL HEIGHT WITH CUSHIONS	OVERALL FRAME HEIGHT	ARM HEIGHT	ARM WIDTH	FOOT HEIGHT	SEAT HEIGHT WITH CUSHIONS	FRAME SEAT HEIGHT (FLOOR TO FRAME)	INSIDE SEAT WIDTH	INSIDE SEAT DEPTH
DESCRIPTION	A	B	C	D	E	F	G	H	I	J	K
ARMLESS 2 SEATER SOFA	67	36 3/4	26 3/4	3 1/2	-	-	2	16 1/4	3 1/2	67	27
SKU# 064.2512	170	93.5	68.2	8.7			4.7	41.1	8.7	170	68.7

MEASURES INCH CM	# OF BACK CUSHIONS	# OF SEAT CUSHIONS	COM YARDS METERS	DIAGONAL CLEARANCE	FURNITURE WEIGHT LBS KGS	TOTAL PIECES IN A BOX	BOXED WEIGHT LBS KGS	CUBE
DESCRIPTION	L							
ARMLESS 2 SEATER SOFA	1	1	11	39 3/4	29	1	44	19.5
SKU# 064.2512	1	1	10.05	100.9	13	1	20	

TRH OW PILLOWS SOLD SEPARATELY