

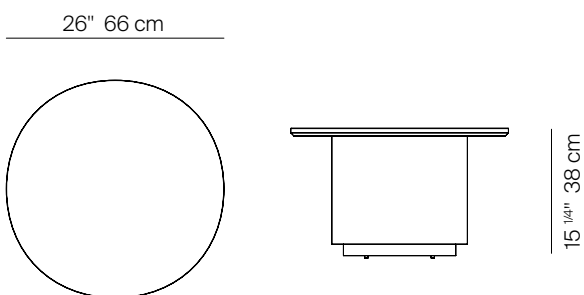
# MERCER

by Danao Studio



26" SIDE TABLE STONE TOP

064.4212



## SPECIFICATIONS

Width:	26"	66 cm
Depth:	26"	66 cm
Height:	15 1/4"	38 cm

## MATERIALS

Frame: Marine Grade Powder coated aluminum.

Table Top: Natural Stone.

Furniture cover available.

## FINISHES



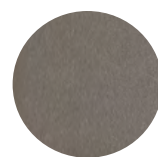
SPACE GREY  
-52



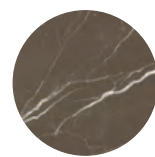
JAVA  
-51



SHELL  
-45



MUSCADE  
-51



GOLDEN  
BROWN -01

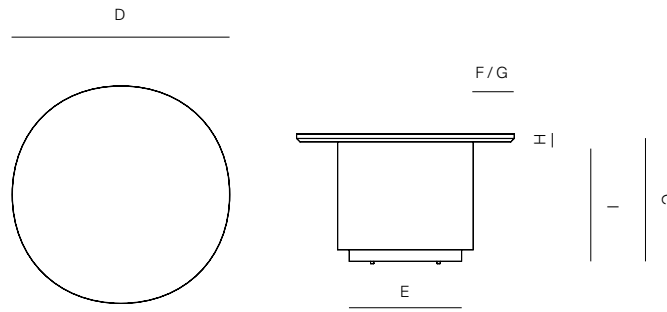
ALUMINUM

TABLE TOP

TRHOW PILLOWS SOLD SEPARATELY

# DANA O

[danaoliving.com](http://danaoliving.com)



MEASURES INCH CM	OVERALL LENGTH	OVERALL WIDTH	OVERALL HEIGHT	DIAMETER	SIZE OF BASE	OVERHANG AT ENDS	OVERHANG AT SIDES	TABLE TOP THICKNESS	APRON TO FLOOR CLEARANCE	SPACE BETWEEN LEGS AT HEAD
DESCRIPTION	A	B	C	D	E	F	G	H	I	J
26" SIDE TABLE STONE TOP	-	-	15 1/4	26	13 1/2	5	5	1	14	-
SKU# 064.4212	-	-	38	66	34.2	12.5	12.5	2.5	35.5	-

MEASURES INCH CM	SPACE BETWEEN LEGS AT SIDE	DIAGONAL CLEARANCE	OVERALL FURNITURE WEIGHT LBS KGS	TOTAL PIECES IN A BOX	BOXED WEIGHT LBS KGS	CUBE
DESCRIPTION	K					
26" SIDE TABLE STONE TOP	-	26	66	1	88	9.8
SKU# 064.4212	-	66	30	1	40	

TRHOW PILLOWS SOLD SEPARATELY