

GRACE BAY

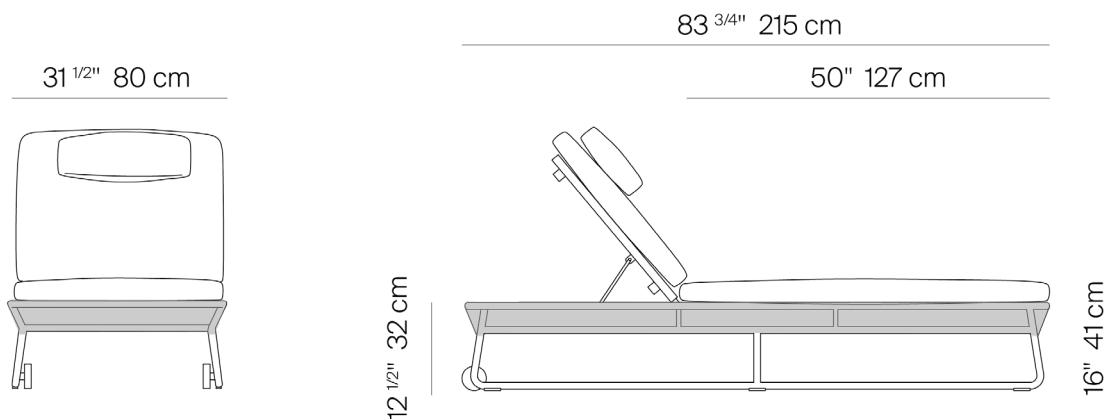
by Monica Armani

The Grace Bay Collection is made of powder coated 6063 aluminum frame with Olefin rope.



CHAISE

522901



SPECIFICATIONS

| | | |
|--------------|---------|--------|
| Width: | 31 1/2" | 80 cm |
| Depth: | 83 3/4" | 215 cm |
| Height: | 16" | 41 cm |
| Seat height: | 12 1/2" | 32 cm |

COM: 7 Yds

FINISHES



SPACE GREY
-52

ALUMINUM



DARK GREY
-28

ROPE

MATERIALS

Frame: Powder coated aluminium with 5mm Olefin rope.

Cushion foam: Made of flow-trough foam with Dacron wrap.

Back throw pillows: Outdoor Polyfill.

Throw pillows available: Outdoor polyfill

cushion fabric: COM / Outdoor canvas Grade A / Luxury Grade B fabric options.

(Reference fabric specification sheet)

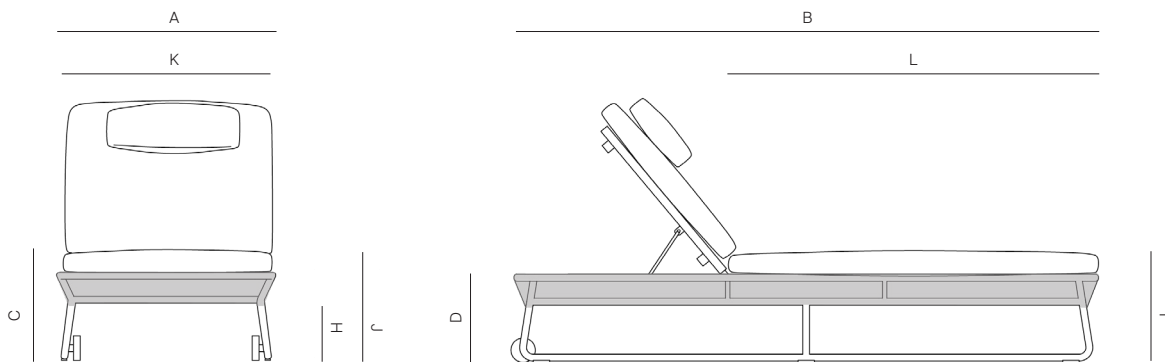
Furniture cover available.

DANAO

danaoliving.com

CHAISE

522901



| MEASURES INCH CM | OVERALL WIDTH | OVERALL DEPTH | OVERALL HEIGHT WITH CUSHIONS | OVERALL FRAME HEIGHT | ARM HEIGHT | ARM WIDTH | FOOT HEIGHT | SEAT HEIGHT WITH CUSHIONS | SEAT HEIGHT (FLOOR TO FRAME) | INSIDE SEAT WIDTH | INSIDE SEAT DEPTH |
|------------------------|------------------|------------------|------------------------------------|----------------------------|---------------|--------------|----------------|---------------------------------|------------------------------------|-------------------------|-------------------------|
| DESCRIPTION | A | B | C | D | F | G | H | I | J | K | L |
| LOUNGE CHAIR | 34 1/2 | 32 1/4 | 34 | 26 1/2 | 24 3/4 | 1 | 8 1/2 | 17 1/2 | 9 3/4 | 32 | 25 |
| SKU# 522301 | 87.5 | 82 | 86.36 | 67.31 | 62.8 | 25 | 21.6 | 44.5 | 24.8 | 81.3 | 63.5 |
| SOFA 63" | 63 1/4 | 32 1/4 | 34 | 26 1/2 | 24 3/4 | 1 | 8 1/2 | 17 1/2 | 9 3/4 | 62 | 25 |
| SKU# 522501 | 160.6 | 82 | 86.36 | 67.31 | 62.8 | 25 | 21.6 | 44.5 | 24.8 | 157.5 | 63.5 |
| SOFA 95" | 95 | 32 1/4 | 34 | 26 1/2 | 24 3/4 | 1 | 8 1/2 | 17 1/2 | 9 3/4 | 93 | 25 |
| SKU# 522502 | 241.4 | 82 | 86.36 | 67.31 | 62.8 | 25 | 21.6 | 44.5 | 24.5 | 236.22 | 63.5 |
| CHAISE | 31 1/2 | 84 3/4 | 39 1/2 | 12 1/2 | - | - | 8 1/2 | 16 | 12 1/2 | 29 | 50 |
| SKU# 522901 | 80 | 215.2 | 100.33 | 31.8 | - | - | 21 | 40.6 | 31.8 | 73.66 | 127 |
| SIDE DINING CHAIR | 23 1/2 | 24 1/4 | 31 1/2 | 28 | - | - | 16 3/4 | 19 1/2 | 17 | 21 | 17 |
| SKU# 522201 | 60 | 61.5 | 80.01 | 71.7 | - | - | 42.5 | 49.5 | 43.2 | 53.34 | 43.2 |
| ARM DINING CHAIR | 23 1/2 | 24 1/4 | 31 1/2 | 28 | - | 1 | 16 3/4 | 20 | 17 | 21 | 17 |
| SKU# 522101 | 60 | 61.5 | 80.01 | 71.7 | - | 1 | 42.5 | 50.8 | 43.2 | 53.34 | 43.18 |
| BAR STOOL | 23 3/4 | 25 1/4 | 39 | 35 1/2 | 34 1/4 | 1 | 24 | 28 | 24 1/4 | 21 | 17 |
| SKU# 528201 | 60 | 63.8 | 99.06 | 90.4 | 87 | 1 | 61 | 71.1 | 62.5 | 53.34 | 4.2 |
| DAYBED | 67 | 66 | 31 | 26 1/2 | 24 3/4 | 1 | 8 1/2 | 15 | 10 1/2 | 64 | 64 |
| SKU # 529201 | 170 | 167.5 | 78.74 | 67 | 62.8 | 1 | 21.6 | 38.1 | 27 | 162.56 | 162.56 |

| MEASURES INCH CM | # OF BACK CUSHIONS | COM BACK CUSHIONS YARDS METERS | # OF SEAT CUSHIONS | COM SEAT CUSHIONS YARDS METERS | DIAGONAL CLEARANCE | FURNITURE WEIGHT LBS KGS | TOTAL PIECES IN A BOX | BOXED WEIGHT LBS KGS | BOXED WIDTH | BOXED DEPTH | BOXED HEIGHT | CBM |
|------------------------|-----------------------|---|-----------------------|---|-----------------------|-----------------------------------|--------------------------------|-------------------------------|----------------|----------------|-----------------|------|
| DESCRIPTION | M | | | | | | | | | | | |
| LOUNGE CHAIR | 1 | 2 | 1 | 3 | 40 1/2 | 19 | 1 | 34 | 37.75 | 35.50 | 29.25 | 0.64 |
| SKU# 522301 | 1 | 2 | 1 | 3 | 102.8 | 8 | 1 | 15 | 95.70 | 89.90 | 74.40 | 0.64 |
| SOFA 63" | 2 | 4 | 1 | 5 | 40 1/2 | 27 | 1 | 47 | 66.50 | 35.50 | 28.50 | 1.10 |
| SKU# 522501 | 2 | 4 | 1 | 5 | 102.8 | 12 | 1 | 21 | 168.70 | 89.90 | 72.40 | 1.10 |
| SOFA 95" | 3 | 6 | 1 | 7 | 40 1/2 | 36 | 1 | 66 | 98 | 35.50 | 29.25 | 1.66 |
| SKU# 522502 | 3 | 6 | 1 | 7 | 102.8 | 16 | 1 | 29 | 248.90 | 89.90 | 74.40 | 1.66 |
| CHAISE | 1 | 3.5 | 1 | 3.5 | 33 | 45 | 1 | 69 | 87.75 | 34.75 | 15.75 | 0.78 |
| SKU# 522901 | 1 | 3.5 | 1 | 3.5 | 83.8 | 20 | 1 | 31 | 223.20 | 88.10 | 39.70 | 0.78 |
| SIDE DINING CHAIR | - | 0.75 | 1 | 1.5 | 37 | 11 | 1 | 22 | 26.75 | 27.50 | 31.25 | 0.37 |
| SKU# 522201 | - | 0.75 | 1 | 1.5 | 94 | 5 | 1 | 10 | 68 | 69.40 | 79.10 | 0.37 |
| ARM DINING CHAIR | - | 0.75 | 1 | 1.5 | 37 | 13 | 1 | 23 | 26.75 | 27.50 | 31.25 | 0.37 |
| SKU# 522101 | - | 0.75 | 1 | 1.5 | 94 | 6 | 1 | 10 | 68.10 | 69.40 | 79.10 | 0.37 |
| BAR STOOL | - | 0.75 | 1 | 1.5 | 39 | 12 | 1 | 24 | 26.75 | 28.25 | 38.75 | 0.48 |
| SKU# 528201 | - | 0.75 | 1 | 1.5 | 99 | 5 | 1 | 10 | 68 | 71.80 | 98.50 | 0.48 |
| DAYBED | 2 | 4 | 1 | 10 | 70 | 40 | 1 | 56 | 70 | 69.00 | 29.50 | 2.34 |
| SKU # 529201 | 2 | 4 | 1 | 10 | 177.8 | 18 | 1 | 25 | 178.10 | 175.40 | 75 | 2.34 |

COMPLETE COLLECTION



95" Sofa



63" Sofa



Lounge chair



Chaise



Pool bed



Arm dining chair



Side dining chair



Bar stool



Round dining table



Rectangular coffee table

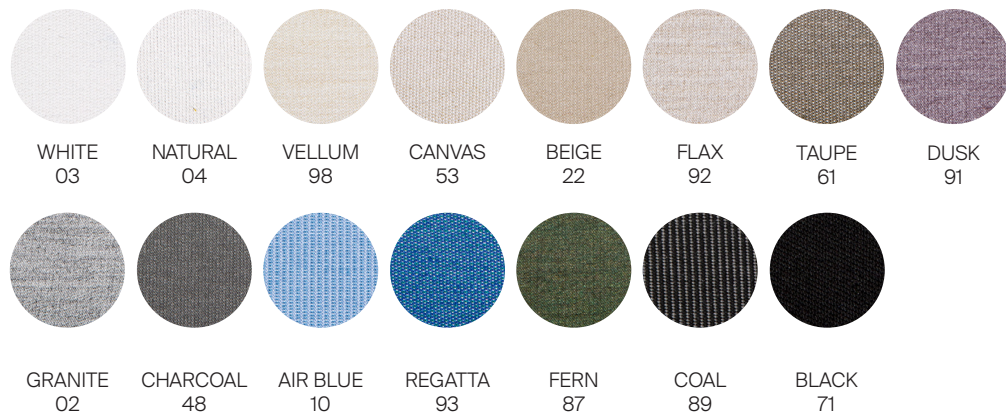


Round coffee table

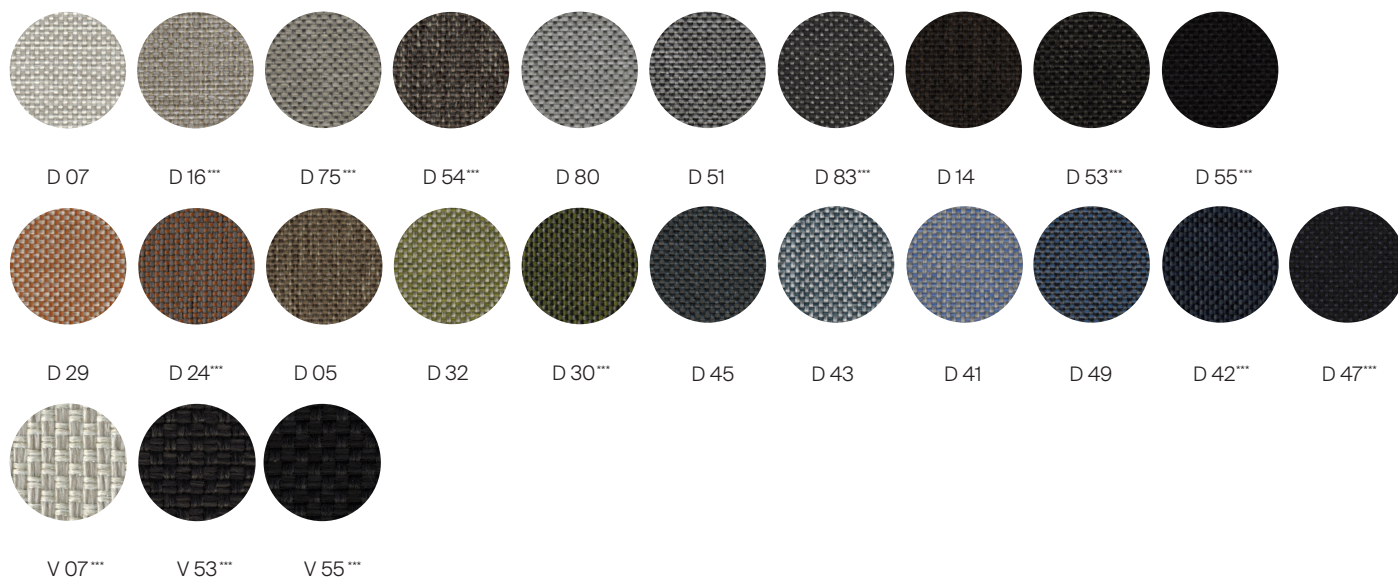


Round side table

_Grade A Fabric:



_Grade B Fabric:



*** Quick ship fabrics