

DESERT

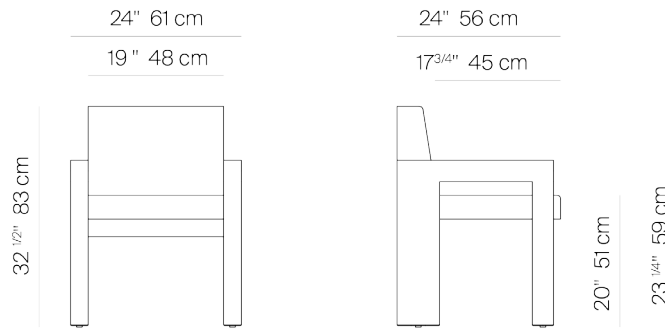
by Marmol Radziner

The Desert Collection is made of premium grade teak frame with upholstered cushions.



DINING CHAIR

122201



SPECIFICATIONS

| | | |
|--------------|---------|-------|
| Width: | 24" | 61 cm |
| Depth: | 24" | 56 cm |
| Height: | 32 1/2" | 83 cm |
| Seat height: | 14" | 36 cm |

COM: 2.5 Yds
COM based on 54" wide no repeat fabric.

MATERIALS

Frame: Premium grade teak wood.

Cushion foam: Made of flow-through foam with Dacron wrap.

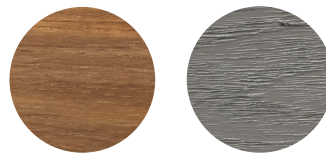
Cushion fabric: COM/Outdoor Canvas Grade A / Luxury Grade B Fabric options.

(Reference fabric specification sheet)

Throw pillows available: Outdoor polyfill

Furniture cover available.

FINISHES



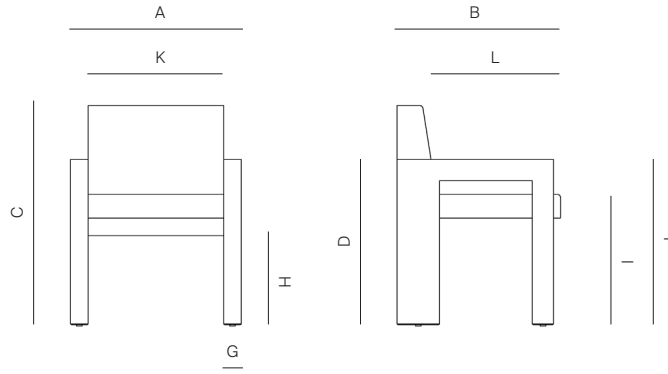
NATURAL
-20

GREY
-22

TEAK

DINING CHAIR

122201



| MEASURES INCH CM | OVERALL WIDTH | OVERALL DEPTH | OVERALL HEIGHT WITH CUSHIONS | OVERALL FRAME HEIGHT | ARM HEIGHT | ARM WIDTH | FOOT HEIGHT | SEAT HEIGHT WITH CUSHIONS | SEAT HEIGHT (FLOOR TO FRAME) | INSIDE SEAT WIDTH (CUSHIONS) | INSIDE SEAT DEPTH (CUSHIONS) |
|------------------------|------------------|------------------|------------------------------------|----------------------------|---------------|--------------|----------------|---------------------------------|------------------------------------|------------------------------------|------------------------------------|
| DESCRIPTION | A | B | C | D | F | G | H | I | J | K | L |
| DINING CHAIR | 24 | 24 | 32 1/2 | 23 1/4 | 23 1/4 | 2 1/2 | 12 1/2 | 20 | 15 | 19 | 17 1/2 |
| SKU# 122201 | 61 | 55.9 | 82.5 | 59 | 59 | 6.3 | 31.8 | 50.8 | 38.1 | 48.4 | 44.45 |
| LOUNGE CHAIR | 36 | 34 | 25 | 18 | 18 | 3 1/2 | 6 | 14 1/2 | 8 1/2 | 29 | 26 |
| SKU# 122301 | 91.4 | 86.4 | 63.5 | 45.7 | 45.7 | 8.9 | 15.3 | 36.8 | 21.6 | 73.6 | 66.04 |
| 55" SOFA | 55 | 34 | 25 | 18 | 18 | 3 1/2 | 6 | 14 1/2 | 8 1/2 | 48 | 26 |
| SKU# 122501 | 139.7 | 86.4 | 63.5 | 45.7 | 45.7 | 8.9 | 15.3 | 36.8 | 21.6 | 121.9 | 66.04 |
| 72" SOFA | 72 | 34 | 25 | 18 | 18 | 3 1/2 | 6 | 14 1/2 | 8 1/2 | 65 | 26 |
| SKU# 122601 | 182.9 | 86.4 | 63.5 | 45.7 | 45.7 | 8.9 | 15.3 | 36.8 | 21.6 | 165.1 | 66.04 |
| CHAISE | 76 | 32 | 9 | 7 | - | - | 1 1/2 | 9 | 7 | 25 | 45 1/2 |
| SKU# 122901 | 193 | 81.3 | 22.7 | 17.8 | - | - | 3.8 | 22.9 | 17.8 | 63.5 | 115.6 |

| MEASURES INCH CM | # OF BACK CUSHIONS | COM BACK CUSHIONS YARDS METERS | # OF SEAT CUSHIONS | COM SEAT CUSHIONS YARDS METERS | DIAGONAL CLEARANCE | FURNITURE WEIGHT LBS KGS | TOTAL PIECES IN A BOX | BOXED WEIGHT LBS KGS | BOXED WIDTH | BOXED DEPTH | BOXED HEIGHT | CBM |
|------------------------|-----------------------|---|-----------------------|---|-----------------------|-----------------------------------|--------------------------------|-------------------------------|----------------|----------------|-----------------|------|
| DESCRIPTION | M | | | | | | | | | | | |
| DINING CHAIR | 1 | 1 | 1 | 1.5 | 38 1/2 | 32 | 1 | 37 | 27.25 | 25.25 | 26.50 | 0.30 |
| SKU# 122201 | 1 | 1 | 1 | 1.5 | 98 | 14 | 1 | 16 | 69.22 | 64.14 | 67.31 | 0.30 |
| LOUNGE CHAIR | 1 | 1.5 | 1 | 2 | 41 | 52 | 1 | 57 | 39.25 | 35.25 | 21.25 | 0.48 |
| SKU# 122301 | 1 | 1.5 | 1 | 2 | 104.1 | 23 | 1 | 25 | 99.70 | 89.54 | 53.98 | 0.48 |
| 55" SOFA | 1 | 2 | 1 | 2.5 | 41 | 60 | 1 | 70 | 58.25 | 35.25 | 21.25 | 0.72 |
| SKU# 122501 | 1 | 2 | 1 | 2.5 | 104.1 | 27 | 1 | 31 | 147.96 | 89.54 | 53.98 | 0.72 |
| 72" SOFA | 1 | 2.5 | 1 | 3 | 41 | 93 | 1 | 101 | 75.25 | 35.25 | 21.25 | 0.92 |
| SKU# 122601 | 1 | 2.5 | 1 | 3 | 104.1 | 42 | 1 | 45 | 191.14 | 89.54 | 53.98 | 0.92 |
| CHAISE | 1 | 3 | 1 | 3.5 | 33 | 131 | 1 | 173 | 79.25 | 35.25 | 10.25 | 0.47 |
| SKU# 122901 | 1 | 3 | 1 | 3.5 | 83.2 | 59 | 1 | 78 | 201.30 | 89.54 | 26.04 | 0.47 |

COMPLETE COLLECTION



55" Sofa



72" Sofa



Lounge chair



Dining chair



Chaise



84" Dining table

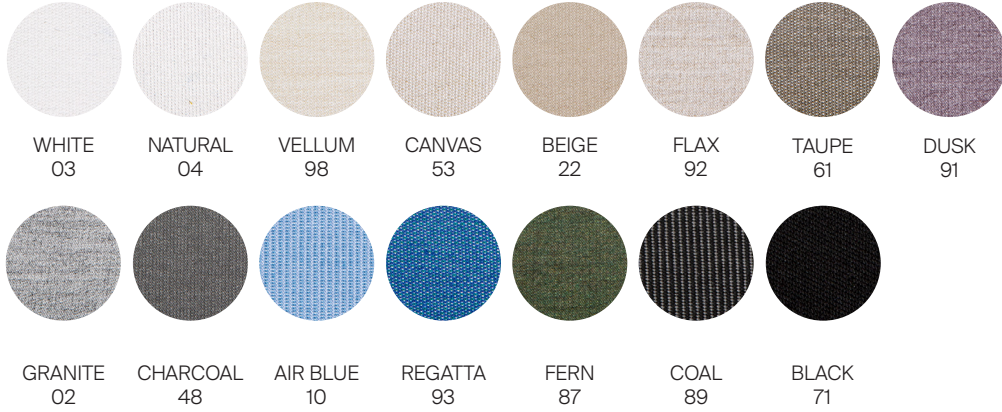


60" Coffee table

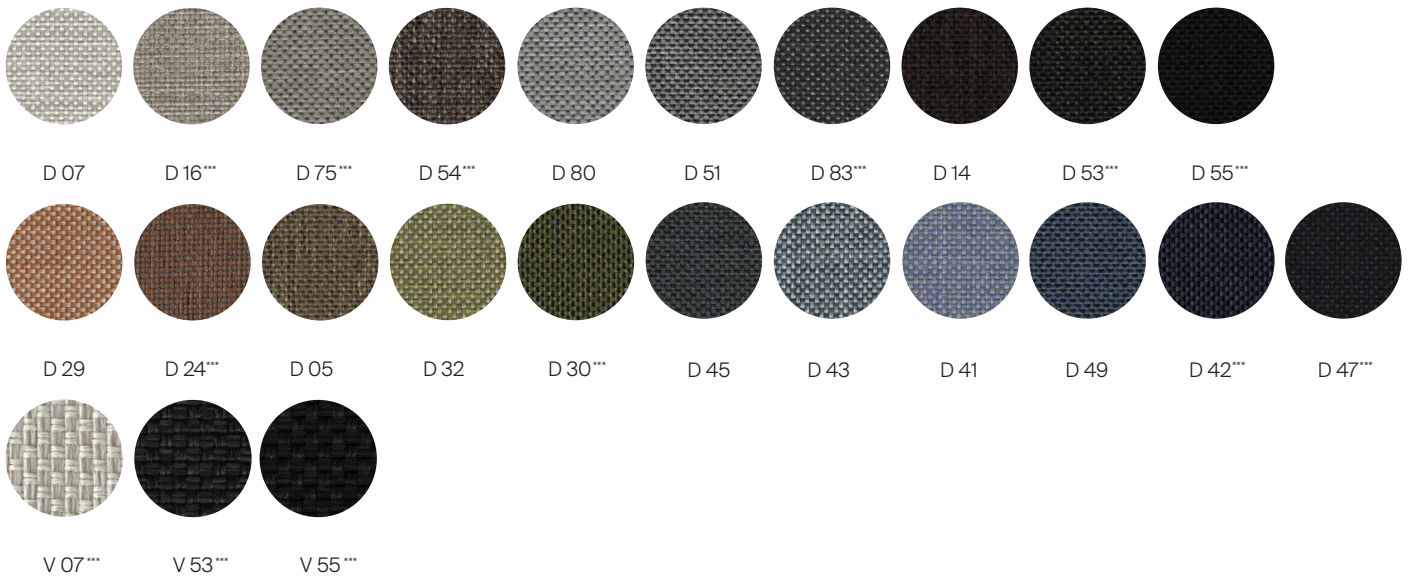


24" Side table

_Grade A Fabric:



_Grade B Fabric:



*** Quick ship fabrics