

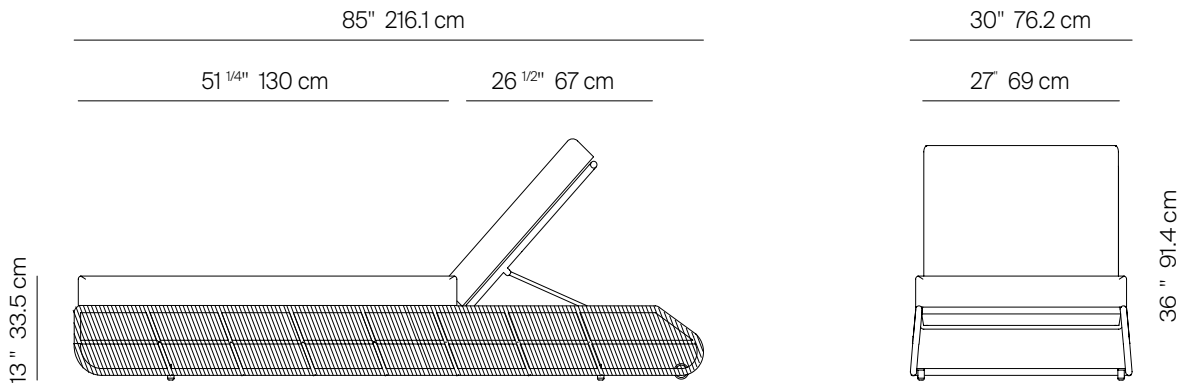
CUFF

by Ann Vering



CHAISE

182901



SPECIFICATIONS

Width:	30"	76.2 cm
Depth:	85"	216.1 cm
Height:	36"	91.4 cm
Seat height:	13"	33.5 cm

COM: 4 1/2 yds

*COM based on 54" wide no repeat fabric.

MATERIALS

Frame: Powder coated aluminum frame.

Weave : Olefin rope wrapped resin.

Cushion Foam: Made of HR (High Resilency) foam with Dacron wrap incased in a nonwoven UV stabilized waterproof sonic welded fabric.

Cushion Fabric: COM/Outdoor Canvas Grade A / Grade B

Fabric options available.

Furniture Cover Available.

FINISHES



COCOA -44
TAUPE -29



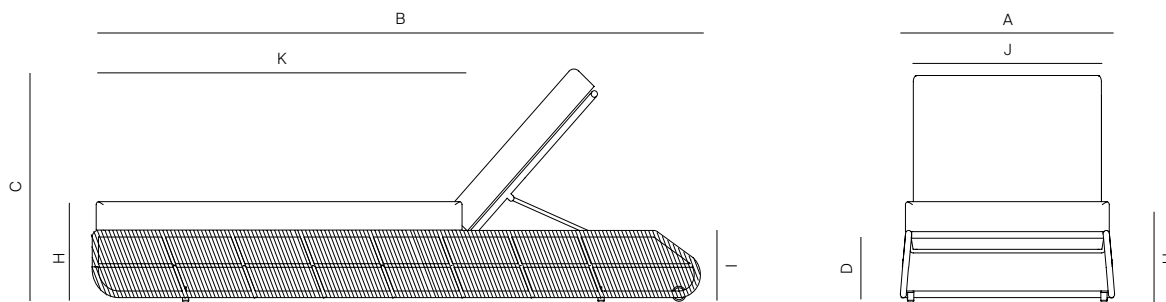
SPACE GREY-52
TAUPE -29

ALUMINUM / ROPE

TRHOW PILLOWS SOLD SEPARATELY

DANAO

danaoliving.com



MEASURES INCH CM	OVERALL WIDTH	OVERALL DEPTH	OVERALL HEIGHT WITH CUSHIONS	OVERALL FRAME HEIGHT	ARM HEIGHT	ARM WIDTH	FOOT HEIGHT	SEAT HEIGHT WITH CUSHIONS	FRAME SEAT HEIGHT	INSIDE SEAT WIDTH	INSIDE SEAT DEPTH
DESCRIPTION	A	B	C	D	E	F	G	H	I	J	K
CHAISE	30	85	36	9 1/2	-	-	-	13	9 1/2	27	50
SKU# 182901	76.2	216.1	91.4	24	-	-	-	33.5	24	68.6	130

MEASURES INCH CM	# OF BACK CUSHIONS	# OF SEAT CUSHIONS	COM CUSHIONS YARDS METERS	DIAGONAL CLEARANCE	FURNITURE WEIGHT LBS KGS	TOTAL PIECES IN A BOX	BOXED WEIGHT LBS KGS	CUBE
DESCRIPTION	L							
CHAISE	1	1	4 1/2	30	56	1	67	21.2
SKU# 182901	1	1	4.1	77	25	1	30	

TRHOW PILLOWS SOLD SEPARATELY