

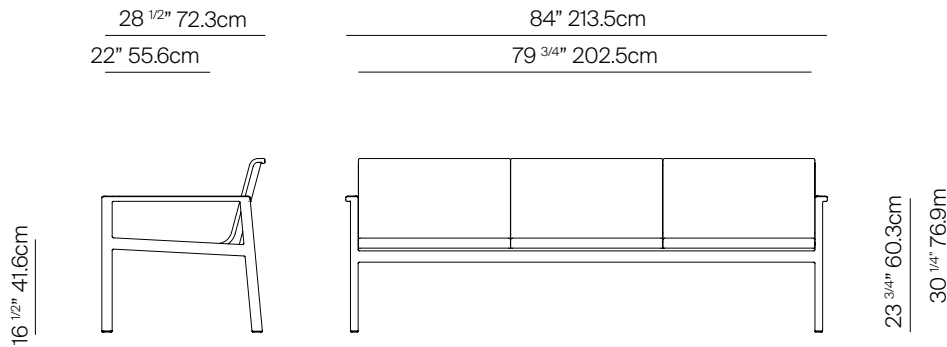
CHELSEA

by Mario Ruiz



3 SEATER SOFA 84"

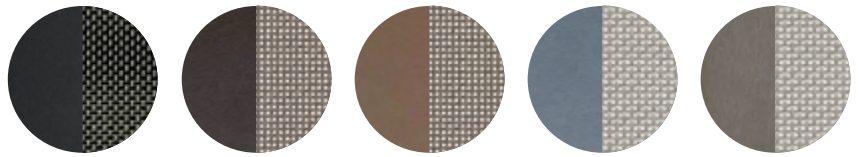
075.2504



SPECIFICATIONS

Width:	84"	213.5 cm
Depth:	28 1/2"	72.3 cm
Height:	30 1/4"	76.9 cm
Seat height:	16 1/2"	41.6cm

FINISHES



SPACE GREY -52	JAVA -51	TERRA -78	MARINA -77	MUSCADE -51
SYLVER -30	TAUPE -33	TAUPE -33	PUMICE -34	PUMICE -34

MATERIALS

Frame: Marine Grade Powder coated aluminum.
Accents: Batyline and All Weather Teak Armrest.
Furniture Cover Available.



SAGE -76	SHELL -45	WHITE -53	ALL-WEATHER
PUMICE -34	SAND -35	WHITE -32	TEAK -13

ALUMINUM / BATYLINE

ACCENT

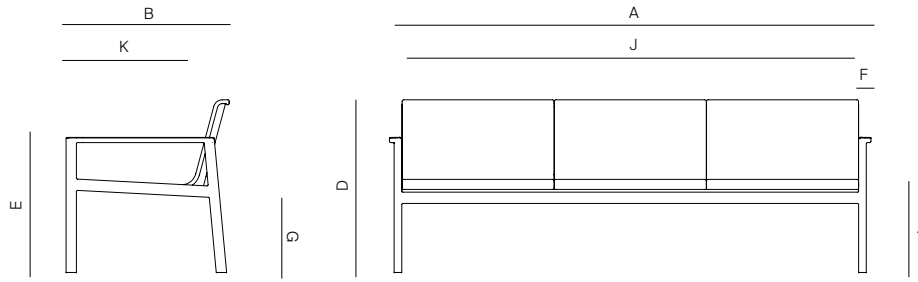
THROW PILLOWS SOLD SEPARATELY

DANA O

danaoliving.com

3 SEATER SOFA 84"

075.2504



MEASURES INCH CM	OVERALL WIDTH	OVERALL DEPTH	OVERALL HEIGHT WITH CUSHIONS	OVERALL FRAME HEIGHT	ARM HEIGHT	ARM WIDTH	FOOT HEIGHT	SEAT HEIGHT WITH CUSHIONS	FRAME SEAT HEIGHT (FLOOR TO FRAME)	INSIDE SEAT WIDTH	INSIDE SEAT DEPTH
DESCRIPTION	A	B	C	D	E	F	G	H	I	J	K
3 SEATER SOFA 84"	84	28 1/2	-	30 1/4	23 3/4	2 1/4	12 1/4	-	16 1/2	79 3/4	22
SKU# 075.2504	213.5	72.3	-	76.9	60.3	5.4	31	-	41.6	202.5	55.6

MEASURES INCH CM	# OF BACK CUSHIONS	# OF SEAT CUSHIONS	COM YARDS METERS	DIAGONAL CLEARANCE	FURNITURE WEIGHT LBS KGS	TOTAL PIECES IN A BOX	BOXED WEIGHT LBS KGS	CUBE
DESCRIPTION								
3 SEATER SOFA 84"	-	-	-	36 1/2	68	1	110	56.26
SKU# 075.2504	-	-	-	92.6	30.7	1	50	

TRHOW PILLOWS SOLD SEPARATELY

DANAO

danaoliving.com