

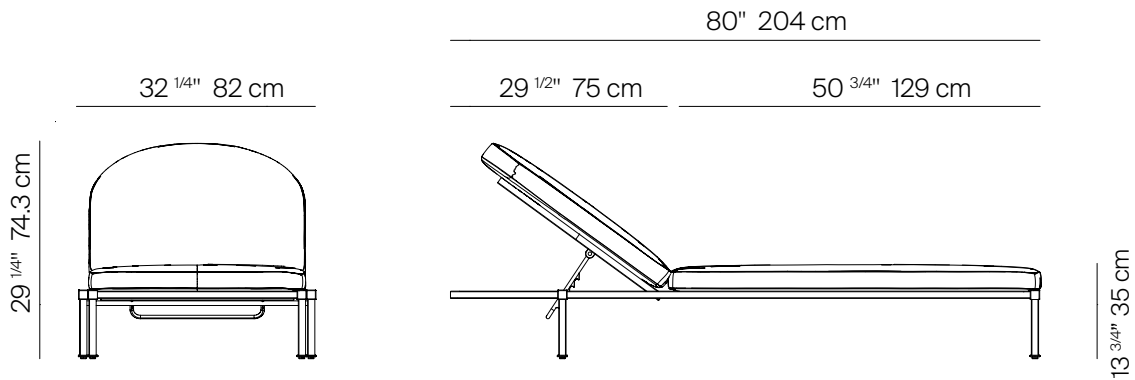
# LUNGOMARE

by Danao Studio



CHAISE STACKABLE

049.2901



## SPECIFICATIONS

Width:	80"	204 cm
Depth:	32 3/4"	82 cm
Height:	29 1/4"	74.3 cm
Seat height:	13 3/4"	35 cm

COM 5 yds

\*COM based on 54" wide no repeat fabric.

## MATERIALS

Frame: Marine Grade Powder coated aluminum.

Cushion Foam: Made of HR (High Resiliency) foam with Dacron wrap incased in a nonwoven UV stabilized waterproof sonic welded fabric.

Cushion Fabric: COM/Outdoor Canvas Grade A / Luxury Grade B Fabric options.

(Reference Fabric Specification Sheet) Throw Pillows

Available: Outdoor Polyfill.

Furniture cover available.

THROW PILLOWS SOLD SEPARATELY

## FINISHES



SPACE GREY  
-52

JAVA  
-71

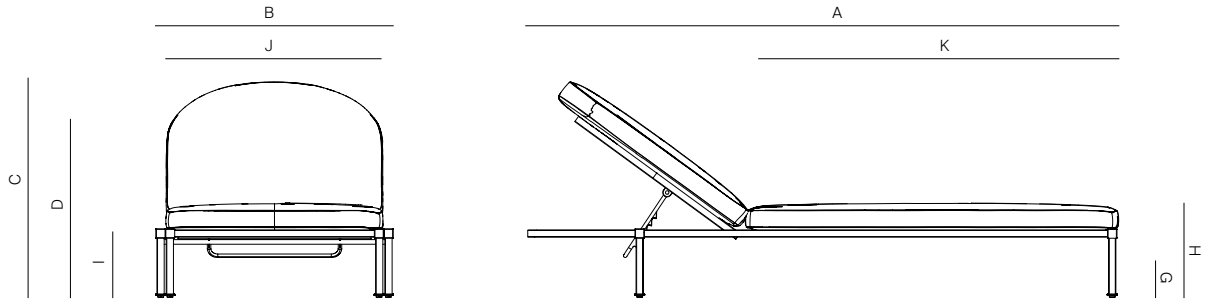
MUSCADE  
-51

SHELL  
-45

## ALUMINUM

# DANAo

danaoliving.com



MEASURES INCH CM	OVERALL WIDTH	OVERALL DEPTH	OVERALL HEIGHT WITH CUSHIONS	OVERALL FRAME HEIGHT	ARM HEIGHT	ARM WIDTH	FOOT HEIGHT	SEAT HEIGHT WITH CUSHIONS	FRAME SEAT HEIGHT (FLOOR TO FRAME)	INSIDE SEAT WIDTH	INSIDE SEAT DEPTH
DESCRIPTION	A	B	C	D	E	F	G	H	I	J	K
CHAISE STACKABLE	80	32 1/4	29 1/4	24 1/2	-	-	8 1/4	13 3/4	9 3/4	29 1/4	50 3/4
SKU# 049.2901	204	82	74.3	62.2	-	-	20.8	35	25	74.2	129

MEASURES INCH CM	# OF BACK CUSHIONS	# OF SEAT CUSHIONS	COM YARDS METERS	DIAGONAL CLEARANCE	FURNITURE WEIGHT LBS KGS	TOTAL PIECES IN A BOX	BOXED WEIGHT LBS KGS	CUBE
DESCRIPTION								
CHAISE STACKABLE	1	1	5	39 3/4	62	2	150	33
SKU# 049.2901	1	1	4.6	101.1	28	2	68	

TRHAW PILLOWS SOLD SEPARATELY